

# HOW TO REPLACE YOUR CHAIR WHEEL

Better utilize an old towel or gloves for safe

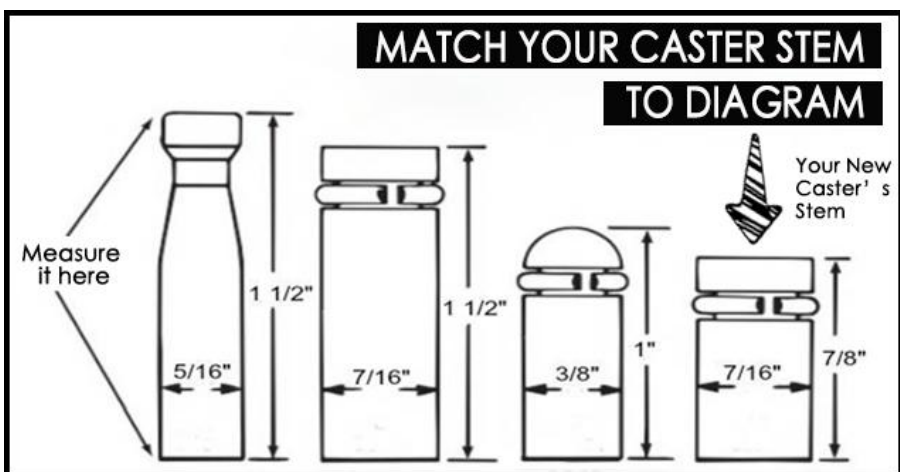


**Step1.** Get an firmly grip the chair wheel and then pull away the caster from the chair base socket.



When it's stuck, using a flat blade screwdriver or pry bar. 

**Step2.** Verify stem type and size, this caster's stem is  $7/16$  inch diameter by  $7/8$  inch length.



There are various of chair's caster grip ring stem type. Follow image are the most commonly used stem.

The determination of stem type is an essential factor in determining if the caster would fits your chair.

Measure the length and the diameter of your old stem, the stem top is flat or rounded doesn't matter, either will fit.



Scan the code to see how to measure it



**Step3.** Find your right caster and push in your new caster until it Clicks.



Scan the code to see how to Replace the chair Wheels